



Job \_\_\_\_\_ Item No. \_\_\_\_\_

## Lang® Universal Clamshell™



### SPECIFICATIONS

- Lang Universal Clamshell top press are constructed in the U.S.A. with corrosion-resistant stainless steel bodies.
- Each Clamshell will have its own independent control.
- The self-leveling function will keep the Clamshell level with the griddle and provide consistent contact heating for a range of product thicknesses.
- The power for each Clamshell will be single phase and rated at 4.2 kW.
- Supply voltage can be either 208 or 240 volts depending on model.
- The Clamshell will operate up to 450°F (232° C).
- The units will come ready to hard-wire to a single power box.
- If installing multiple units, each Clamshell will require one [1] connection.
- Each Clamshell will utilize an independent electronic control.
- Clamshells are compatible with front or side trough style griddles.
- Each Clamshell utilizes an easy to see illuminated on/off switch and separate indicator light for identifying when heating.
- Clamshells may be used with any existing bases or stands.

### DESCRIPTION

The Lang Universal Clamshell top press, is designed for quick and consistent cooking of a variety of menu items. The Clamshell's electronic temperature control allows for easy and precise temperature adjustment. The Clamshells use a self-leveling design and provide excellent two sided cooking when combined with the thick griddle surface.

### FEATURES

- Double-sided cooking with griddle cuts cook time in half
- Single hand lifting operation with automatic hold-open design.
- Self-levelling Clamshell accommodates large items as well as large quantities of smaller items, and all with consistent contact and heating
- 11-inch (279 mm) by 21.5-inch (546 mm) contact surface provides 1.64 square feet (1524 cm<sup>2</sup>) of cooking area
- Supplied with one [1] easy-to-install non-stick sheet
- Each Clamshell utilizes an individual control box for independent electronic temperature control

### OPTIONS & ACCESSORIES

Replacement non-stick sheets [package of 10]

### WARRANTY

These units come with a one [1] year warranty for parts and labor.

### CERTIFICATIONS



LANG MANUFACTURING • [www.langworld.com](http://www.langworld.com)

265 Hobson St. Smithville, TN 37166

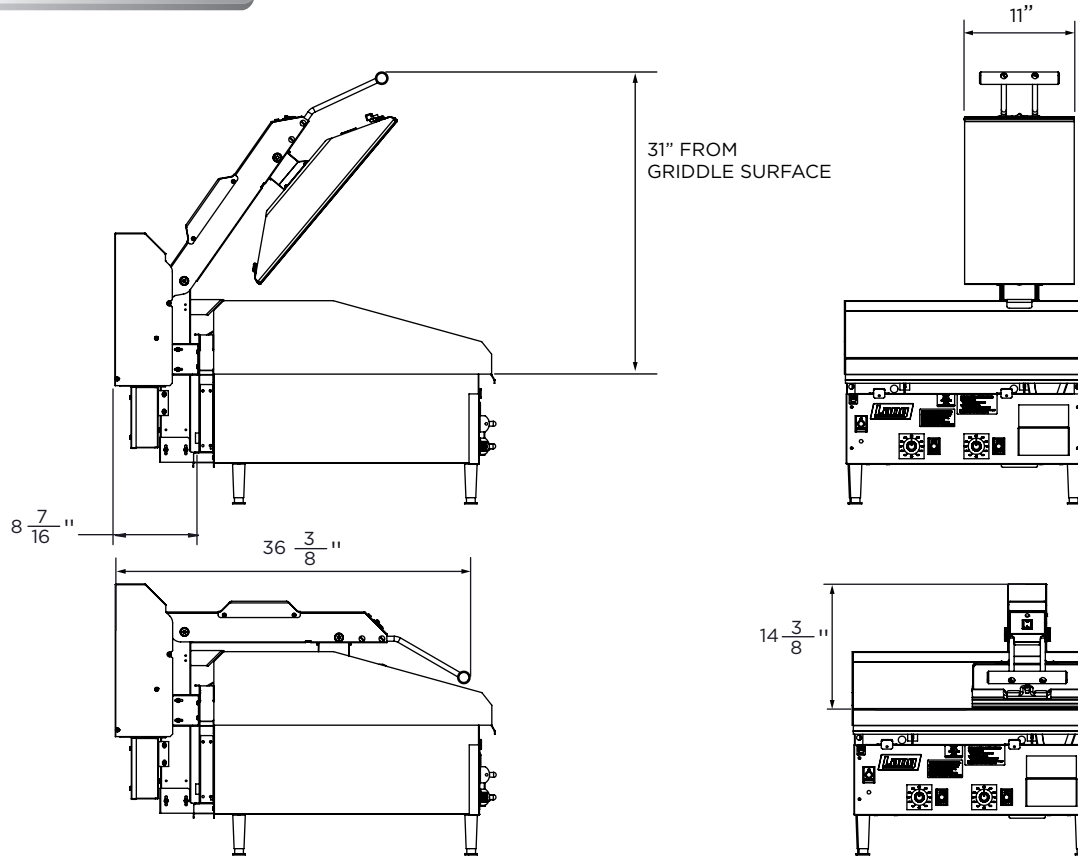
Telephone 800-264-7827

Printed in the U.S.A. • 2M-Z26566 • Rev - • (05-26)

Specifications are subject to change without notice and are not intended for installation purposes.



# Lang® Universal Clamshell™



## INSTALLATION REQUIREMENTS:

- The Lang Universal Clamshell top press adapts to fit griddles manufactured by Lang, Star, MagiKitch'n, Imperial, Southbend, Vulcan, AccuTemp, and Atosa. There is no need to modify the existing griddle. Each Clamshell comes as one complete unit with minimal assembly that only involves affixing the appropriate bracket matching the existing griddle. From there, simply hang the Clamshell on the griddle's rear backsplash in the location desired, install the screws in the location identified (a standard impact screwdriver will do), and make the electrical connections.
- Installation by a certified technician is recommended.

MODEL	VOLTAGE	PHASE	WATTS	AMPS	APPROX. WEIGHT SHIPPING	APPROX. WEIGHT INSTALLED
UCCSE12	208 240	1	4200	20.2 17.5	90 lb.	65 lb.

Due to periodic changes in designs, methods, procedures, policies and regulations, the specifications contained in this sheet are subject to change without notice. While Star Manufacturing exercises good faith efforts to provide information that is accurate, we are not responsible for errors or omissions in information provided or conclusions reached as a result of using the specifications. By using the information provided, the user assumes all risks in connection with such use.